

**REK PLUS SERIES**



Frézovacia hlava **-75%**  
pri odbere 30ks došt. RKP

ISO

P

M

K




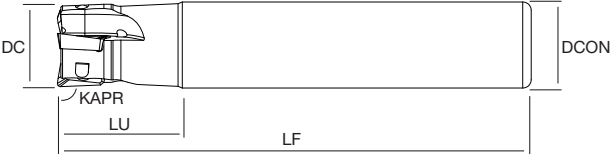
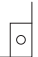




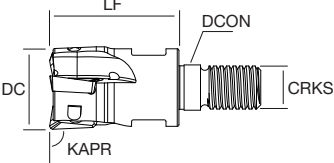



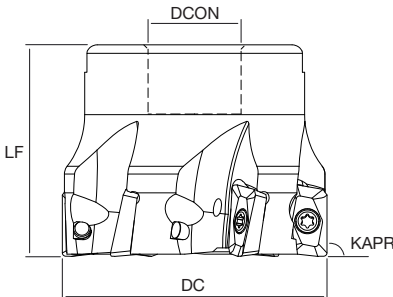


N



S



Nový špirálový typ pre  
extremne vysoký výkon

**nixko**TOOLS

<p>CYLINDRICAL</p>  <p>INTERNAL COOLANT</p> 			<p>SHOULDERING</p>  90° 						
<p>SCREW-IN</p>  <p>INTERNAL COOLANT</p> 									
<p>ARBOR</p>  <p>INTERNAL COOLANT</p> 									
<p><b>REKPLUS</b> Shouldering (KAPR 90°)</p>		DC		DCON	LF	LU	CRKS		MIID

			DC		DCON	LF	LU	CRKS		MIID	
CYLINDRICAL	NT-RKP11	D016-S16-Z2	16	●	2	16	100	25	-	0.15	NT-RKP11
		D020-S16-Z3	20	●	3	16	110	30	-	0.25	
		D020-S20-Z3	20	●	3	20	110	30	-	0.30	
		D025-S20-Z3	25	●	3	20	120	35	-	0.40	
		D025-S25-Z3	25	●	3	25	120	35	-	0.50	
		D025-S25-Z4	25	●	4	25	120	35	-	0.50	
		D032-S25-Z4	32	●	4	25	130	35	-	0.60	
		D032-S32-Z4	32	●	4	32	130	35	-	1.00	
	D032-S32-Z5	32	●	5	32	130	35	-	1.00		
	NT-RKP16	D025-S25-Z2	25	●	2	25	120	35	-	0.45	NT-RKP16
D032-S32-Z3		32	●	3	32	130	45	-	0.75		
D040-S32-Z4		40	●	4	32	150	45	-	1.00		
CYLINDRICAL LONG	NT-RKP11	D016-S15-Z2-L160	16	●	2	15	160	25	-	0.25	NT-RKP11
		D016-S16-Z2-L160	16	●	2	16	160	25	-	0.30	
		D017-S16-Z2-L170	17	●	2	16	170	25	-	0.35	
		D020-S19-Z3-L200	20	●	3	19	200	30	-	0.50	
		D020-S20-Z3-L200	20	●	3	20	200	30	-	0.50	
		D021-S20-Z3-L210	21	●	3	20	210	30	-	0.50	
		D025-S24-Z3-L250	25	●	3	24	250	35	-	1.00	
		D025-S25-Z3-L250	25	●	3	25	250	35	-	1.00	
		D026-S25-Z3-L260	26	●	3	25	260	35	-	1.00	

<b>REKPLUS</b> Shouldering (KAPR 90°)				DC		DCON	LF	LU	CRKS		MIID
<b>WELDON</b>	NT-RKP11	D016-W16-Z2-L080	●	16	2	16	80	25	-	0.15	NT-RKP11
		D020-W20-Z3-L090	●	20	3	20	90	30	-	0.20	
		D025-W25-Z4-L100	●	25	4	25	100	35	-	0.35	
<b>SCREW-IN</b>	NT-RKP11	D016-M08-Z2	●	16	2	8.5	25	-	M8	0.05	NT-RKP11
		D020-M10-Z2	▽	20	2	10.5	30	-	M10	0.10	
		D020-M10-Z3	●		3	10.5	38	-	M10	0.10	
		D025-M12-Z3	●	25	3	12.5	38	-	M12	0.15	
		D025-M12-Z4	●		4	12.5	38	-	M12	0.15	
		D032-M16-Z4	●	32	4	17	43	-	M16	0.25	
		D032-M16-Z5	●		5	17	43	-	M16	0.25	
	NT-RKP16	D025-M12-Z2	●	25	2	12.5	38	-	M12	0.15	NT-RKP16
D032-M16-Z3	●	32	3	17	43	-	M16	0.25			
D040-M16-Z4	●	40	4	17	43	-	M16	0.30			
<b>ARBOR</b>	NT-RKP11	D040-F16-Z5	●	40	5	16	40	-	-	0.25	NT-RKP11
		D040-F16-Z6	●		6	16	40	-	-	0.25	
		D050-F22-Z5	●	50	5	22	40	-	-	0.45	
		D050-F22-Z7	●		7	22	40	-	-	0.45	
		D063-F22-Z6	●	63	6	22	40	-	-	0.65	
		D063-F22-Z8	●		8	22	40	-	-	0.65	
		D080-F27-Z7	●	80	7	27	50	-	-	1.20	
	D080-F27-Z10	●	10		27	50	-	-	1.20		
	NT-RKP16	D040-F16-Z4	●	40	4	16	40	-	-	0.25	NT-RKP16
		D040-F16-Z5	●		5	16	40	-	-	0.25	
		D050-F22-Z4	●	50	4	22	40	-	-	0.50	
		D050-F22-Z5	●		5	22	40	-	-	0.50	
		D063-F22-Z5	●	63	5	22	40	-	-	0.80	
		D063-F22-Z6	●		6	22	40	-	-	0.80	
		D080-F27-Z6	●	80	6	27	50	-	-	1.20	
D080-F27-Z8		●	8		27	50	-	-	1.20		
D100-F32-Z7		●	100	7	32	50	-	-	1.70		
D100-F32-Z9	●	9		32	50	-	-	1.70			

DOŠTIČKY		JP8625	JP9635	JP7615
HSC, HGP	NT-RKP 11R04(08,12) M	5,31	5,31	5,31
	NT-RKP 16R08(12,16,20,31) M	7,11	7,11	7,11